

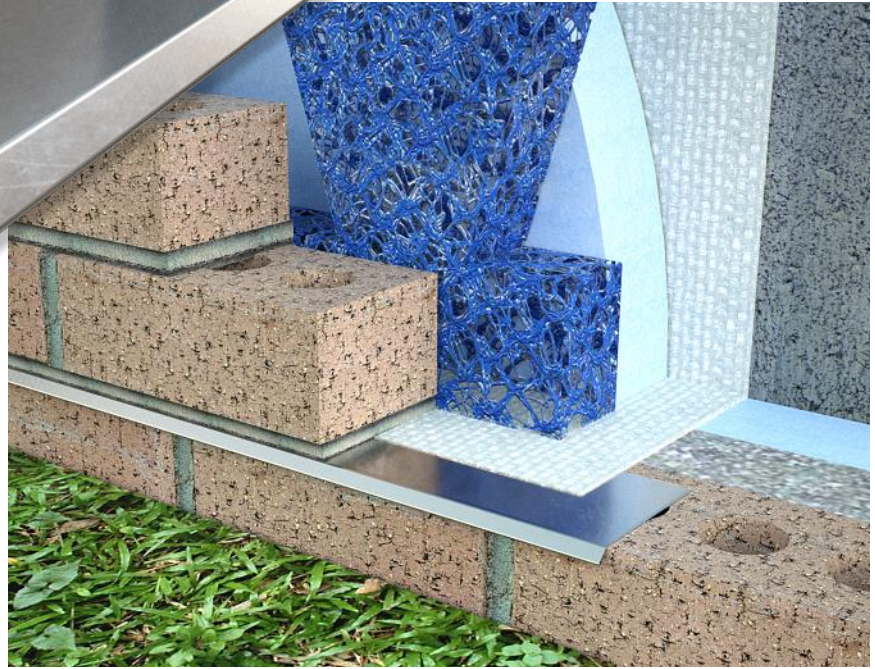
PRODUCT SUBMITTAL

WIRE-BOND

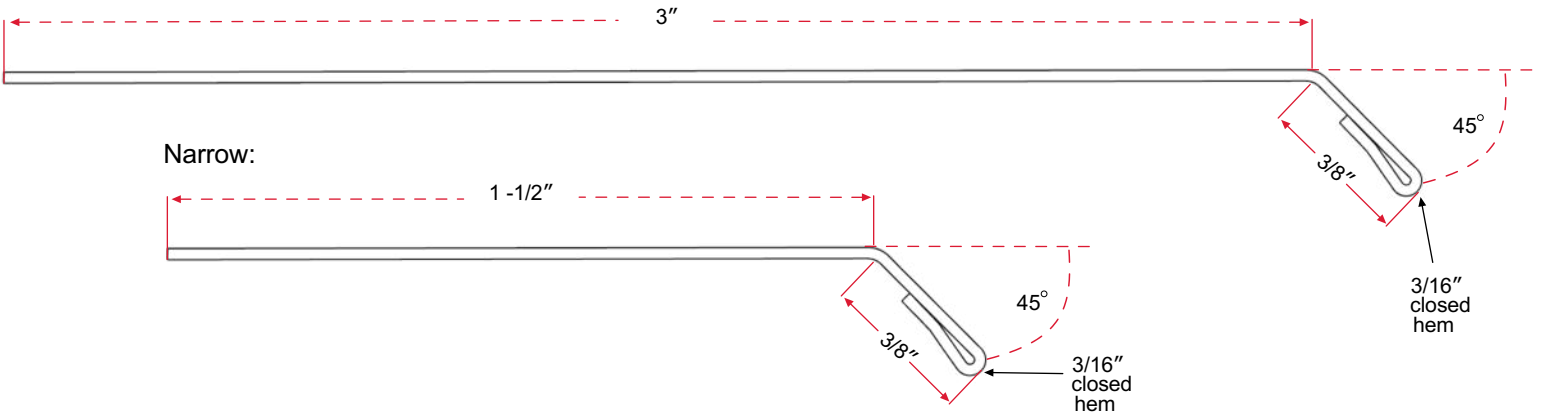
#4165 Drip Edge Flashing



Side View



Standard:



MATERIAL CONFORMANCE	SIZES / FINISHES		
SHEET METAL: Stainless Steel Type 304: ASTM A240/A240M, ASTM A666, ASTM A480/A480M (Type 316 available on special orders) Steel Products (flats) Recycled Content: Stainless Steel, 60% Post Consumer V O C Content - 0%	#4165 Drip Edge Flashing: 26 gauge Standard length : 8'-0"		Packaging: 25 per Box
	WIDTH: 3"	1-1/2"	Other
	FINISH: Stainless Steel Type 304: ASTM A240/A240M, ASTM A666, ASTM A480/A480M		

Corporate Office: 400 Rountree Rd Charlotte, NC 28217
 TEL: (800) 849-6722 FAX: (704) 525-3761
 Mailing Address: P.O. Box 240988 Charlotte, NC 28224



wirebond.com

Memphis Plant: 2365 Harbor Ave. Memphis, TN 38113
 TEL: (800) 441-8359 FAX: (901) 775-9449
 Mailing Address: P.O. Box 13124 Memphis, TN 38113