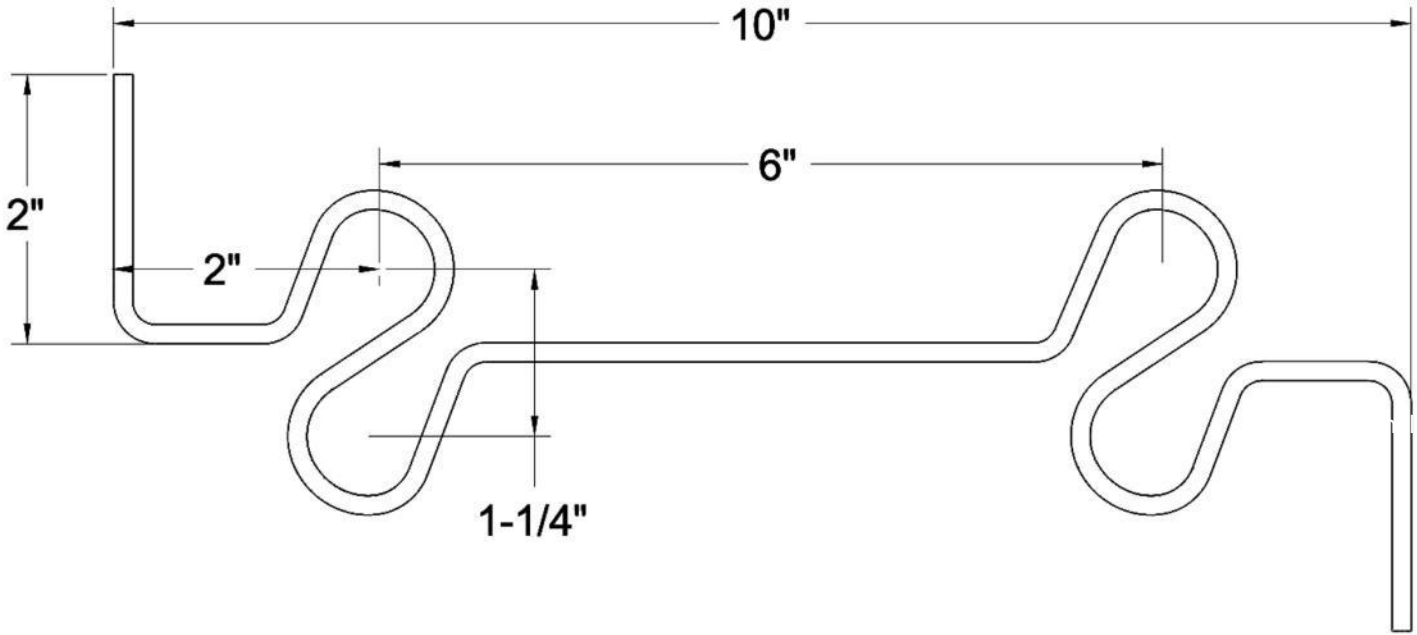



# PRODUCT SUBMITTAL



## # 3404 Figure 8 Double Rebar Positioner For 12 inch CMU



**Loops hold up to 1" diameter Rebar**

MATERIAL CONFORMANCE	SIZES / FINISHES
<p><b>Wire (Carbon Steel):</b> Prefabricated from cold-drawn steel wire conforming to <b>ASTM A1064/A1064M, ASTM A82 / A82M</b> Tensile Strength - 80,000 psi Yield Point - 70,000 psi</p> <p>Mill Galvanized / Zinc Coating: <b>ASTM A641 / A641M (0.10 Oz per sq ft)</b></p> <p>Hot Dip Galvanized after fabrication / Zinc Coating <b>ASTM A153 / A153M-B2 (1.50 oz per sq ft)</b></p> <p>Stainless Steel (WIRE) <b>ASTM A580 / ASTM A580M</b> Stainless Steel ( SHEET METAL) <b>ASTM A167 Type 304</b> (Type 316 available on special order)</p>  <p><b>Recycled Content:</b> Mill Galvanized &amp; Hot Dipped, 82.8% Post-Consumer 17% Post Industrial / Pre-Consumer,</p> <p>Stainless Steel, 60% Post Consumer V O C Content - 0%</p>	<p><b># 3404 :</b></p> <p><b>9 gauge dia. 10 inch for 12 inch CMU</b></p> <p><b>FINISH:</b></p> <p><input type="checkbox"/> Mill Galvanized    <input type="checkbox"/> Hot Dip Galvanized    <input type="checkbox"/> Stainless Steel</p>

**Corporate Office:** 400 Rountree Rd Charlotte, NC 28217  
TEL: (800) 849-6722 FAX: (704) 525-3761

**Mailing Address:** P.O. Box 240988 Charlotte, NC 28224



[www.wirebond.com](http://www.wirebond.com)

**Memphis Plant:** 2365 Harbor Ave. Memphis, TN 38113  
TEL: (800) 441-8359 FAX: (901) 775-9449

**Mailing Address:** P.O. Box 13124 Memphis, TN 38113