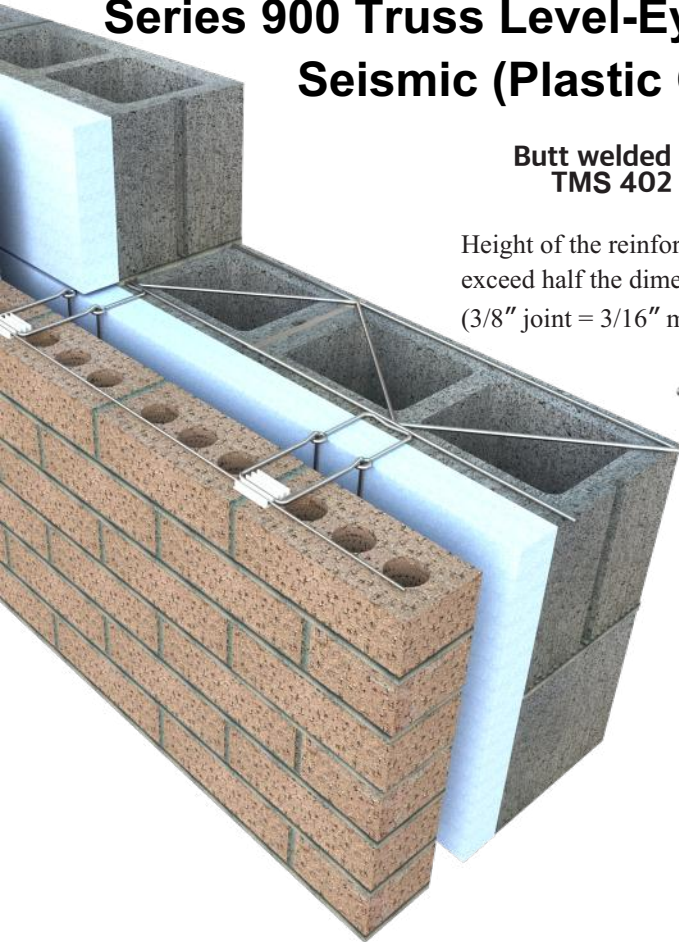


# PRODUCT SUBMITTAL

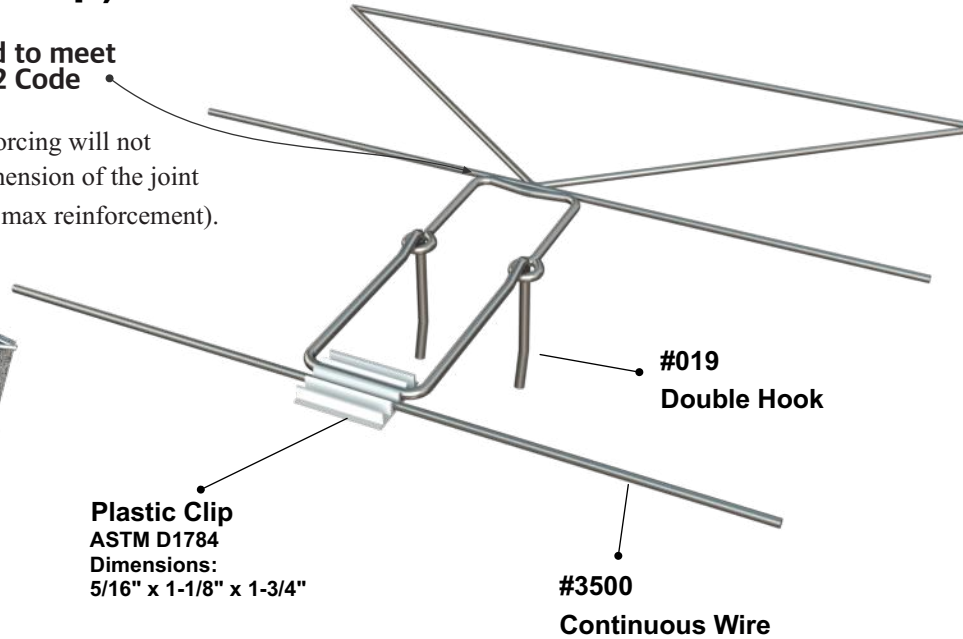
**WIRE-BOND**

## Series 900 Truss Level-Eye (Hook & Eye) Seismic (Plastic Clip)



Butt welded to meet  
TMS 402 Code

Height of the reinforcing will not exceed half the dimension of the joint (3/8" joint = 3/16" max reinforcement).



**Plastic Clip**  
ASTM D1784  
Dimensions:  
5/16" x 1-1/8" x 1-3/4"

**#019**  
Double Hook

**#3500**  
Continuous Wire

### STRUCTURAL PERFORMANCE CHARACTERISTICS

Capable of withstanding 100 lbs load in tension and compression without deforming or developing play in excess of .05 inch.

- Double eye is butt welded to side rod 16" O.C.
- Height of double eye will not exceed 3/16" in bed joint.
- Easier to maintain 3/8" mortar joint.

MATERIAL CONFORMANCE	SIZES / FINISHES						
Wire (Carbon Steel): Prefabricated from cold-drawn steel wire conforming to <b>ASTM A1064/A1064M</b>	<b>WIRE SIZE:</b>			<b>SIDE RODS:</b>		<b>CROSS RODS:</b>	
Tensile Strength - 80,000 p.s.i.   Yield Point - 70,000 p.s.i. minimum	Standard			9 Gauge (.148 in)		9 Gauge	
<b>ASTM A951/A951M</b> (Standard Specification for Steel Wire for Masonry Joint Reinforcement)	Heavy Duty			3/16 (.187 in)		9 Gauge	
<b>ACI / ASCE 530</b> (Building Code Requirements for Masonry Structures)	Extra Heavy Duty			3/16 (.187 in)		3/16	
Mill Galvanized coating: <b>ASTM A641/A641M (0.1 oz/ft)</b>	<b>CMU SIZE:</b>						
Hot-Dip Galvanized after fabrication: <b>ASTM A153/A153M-B2 (1.5 oz/ft)</b>	4"	6"	8"	10"	12"	14"	16"
Wire (Stainless Steel): <b>ASTM A580/ASTM 580M - AISI Type 304</b> (Type 316 available on special orders)	<b>#019 Double Hook:</b> 3/16" dia. standard						
	<b>Length:</b>		3-1/4"	4-1/4"	5-1/4"	Other	
	<b>Continuous Wire:</b>			9gauge	3/16" dia.		
	<b>FINISHES:</b>			Hot Dip Galvanized		Stainless Steel	
	<i>** Please state overall wall size and cavity or insulation when ordering</i>						



**Recycled Content:**  
Mill Galvanized & Hot Dipped,  
82.8% Post-Consumer  
17% Post Industrial / Pre Consumer

**Stainless Steel**  
97% Pre-Consumer V O C Content - 0%

**Corporate Office:** 400 Rountree Rd Charlotte, NC 28217  
TEL: (800) 849-6722 FAX: (704) 525-3761

**Mailing Address:** P.O. Box 240988 Charlotte, NC 28224

**WIRE-BOND**

[www.wirebond.com](http://www.wirebond.com)

**Memphis Plant:** 2365 Harbor Ave. Memphis, TN 38113  
TEL: (800) 441-8359 FAX: (901) 775-9449

**Mailing Address:** P.O. Box 13124 Memphis, TN 38113