



MasterFormat: 07 26 16

AUGUST 2024  
(Supersedes February 2022)

# PREMOULDED MEMBRANE® VAPOR SEAL WITH PLASMATIC® CORE (PMPC) Vaporproofing/Waterproofing Membrane

## DESCRIPTION

PREMOULDED MEMBRANE VAPOR SEAL WITH PLASMATIC CORE (PMPC) is a seven-ply, weather-coated, permanently bonded, semi-flexible vaporproofing/waterproofing membrane. It is composed of the exclusive W. R. MEADOWS PLASMATIC CORE suspended mid-point between two layers of a homogeneous, bituminous material, and then sealed under heat and pressure between liners of asphalt-impregnated felt and a glass-mat liner. An asphalt weather coat is applied to the glass-mat liner and covered with a polyethylene anti-stick sheet.

PMPC provides a positive, easy-to-install, economical, true vaporproofing and waterproofing system for horizontal applications. Properly applied, it stops moisture migration in footings, concrete floors, and structural slabs. PREMOULDED MEMBRANE VAPOR SEAL WITH PLASMATIC CORE is both waterproof and vaporproof.

It offers a perm rating of less than 0.002 perms, the lowest in the industry. The product is the ultimate when a true vapor seal is required. Among its unique features is the built-in protection course, which resists jobsite puncturing and the abrasive action of concrete placement. PMPC conforms to ASTM E1993. The exclusive PLASMATIC CORE adds flexibility, greater tensile strength, and excellent handling characteristics, in addition to providing unequalled vapor barrier properties. PMPC helps meet and maintain the maximum slab moisture transfer rate of 3 lb./1000 ft.<sup>2</sup>/24 hours (1.45 kg/100 m<sup>2</sup>/24 hours), as allowed by the flooring industry's specifications.

## USES

PMPC, when properly applied, is designed to stop moisture migration (liquid or vapor) in footings, concrete floor slabs, and structural slabs, which greatly reduces fungus, mildew, and mold. It is especially useful under slabs overlaid with wood, tile, epoxy, and urethane coatings, carpeting, and resilient or seamless flooring systems, since it helps prevent warping and buckling caused by moisture migration.

PMPC also greatly reduces radon gas from entering the structure.

## FEATURES/BENEFITS

- Offers a virtually impermeable vaporproofing system with a perm rating of less than 0.002 perms, the lowest in the industry.
- Provides excellent tensile strength and puncture resistance.
- Helps prevent warping, buckling, or delamination of subsequent flooring systems.
- Conforms to ASTM E1993 specification.
- Greatly reduces fungus, mildew, and mold.
- Greatly reduces radon gas from entering the structure.
- Helps meet and maintain the maximum slab moisture transfer rate of 3 lb./1000 sq. ft./24 hours (1.45 kg/100 m<sup>2</sup>/24 hours), as allowed by the flooring industry's specifications.

## PACKAGING

|               | Width           | Length         | Weight                                    |
|---------------|-----------------|----------------|---|
| <b>Sheets</b> | 48"<br>(1.22 m) | 8'<br>(2.44 m) | 60 lb./100 ft. <sup>2</sup><br>(27.22 kg) |

## SPECIFICATIONS/STANDARDS

ASTM E1993\*

\*Standard Specification for Bituminous Water Vapor Retarders used in Contact with Soil or Granular Fill under Concrete Slabs.

CONTINUED ON REVERSE SIDE ...

**W. R. MEADOWS, INC.**  
P.O. Box 338 • HAMPSHIRE, IL 60140-0338  
Phone: 847/214-2100 • Fax: 847/683-4544  
1-800-342-5976  
www.wrmeadows.com • info@wrmeadows.com

HAMPSHIRE, IL / CARTERSVILLE, GA / YORK, PA  
FORT WORTH, TX / BENICIA, CA / POMONA, CA  
GOODYEAR, AZ / MILTON, ON / SHERWOOD PARK, AB

**TECHNICAL DATA**

| WATER VAPOR PERMEANCE RATING<br>ASTM F1249 | TENSILE STRENGTH<br>ASTM E154, Section 9 | PUNCTURE RESISTANCE<br>ASTM E154 | Thickness<br>(Nominal) |
|--|--|----------------------------------|------------------------|
| PERMS                                      | LB. FORCE/INCH                           | LB. FORCE                        |                        |
| 0.0011                                     | 156                                      | 149                              | 100 - 140 Mils         |

All technical data is typical information, but may vary due to testing methods, conditions, and operators.

**STORAGE**

Handling of PMPC is not critical because of its strength; however, it is advisable to stack sheets on smooth ground or a wood platform in storage or at the excavation site. This will eliminate the possibility of the material deforming or warping

**APPLICATION**

**Estimating** ... When estimating the amount of PMPC required, figure the actual area plus 20% for overlap.

**Cutting** ... PMPC can be cut with a roofer's or linoleum knife, using a straight edge.

**Bending** ... Normally to facilitate bending at a change in plane, such as at corners or footings, a two-by-four can be used to make the bend. In cold weather conditions, lightly heat the bending area and make the bend.

**Pointing** ... Pointing with POINTING MASTIC from W. R. MEADOWS should be done wherever an edge is exposed to prevent water from traveling under a sheet.

**Horizontal Installation (On- or Below-Grade)**

... By installing PMPC on the ground prior to placing the concrete floor, moisture will be prevented from coming through the floor slab. For sub-grade preparation prior to placement of PMPC, please see ACI 302.1R-04: Chapter 4, Section 4.1.4 – Base Material.

**Above-Grade** ... In addition to the horizontal on- or below-grade application, PMPC can be placed on the intermediate structural slab, forming a “sandwich slab” installation. As a result, moisture is prevented from filtering downward from mechanical floors dedicated to heating and air conditioning equipment. This helps prevent damage to lower floor levels.

**Application Method (Butt-Joint Method) ...**

After the sheets are tightly butted together, remove the polyfilm from the joint area. After removal of the polyfilm, center the PMPC TAPE over the butt joints and roll down with pressure for a positive seal

**Sealing Procedures** ... All protrusions through the concrete slab, such as sewer pipes, water pipes, and utility inlets, must have a positive seal between the protrusion and PMPC. Place a collar of PMPC at least 12" (31 cm) larger than the protrusion around the protrusion. Seal in place with PMPC TAPE and point around the protrusion with POINTING MASTIC.

**Sealing Procedures** ... All protrusions through the concrete slab, such as sewer pipes, water pipes, and utility inlets, must have a positive seal between the protrusion and PMPC. Place a collar of PMPC at least 12" (31 cm) larger than the protrusion around the protrusion. Seal in place with PMPC TAPE and point around the protrusion with POINTING MASTIC.

**ACCESSORIES**

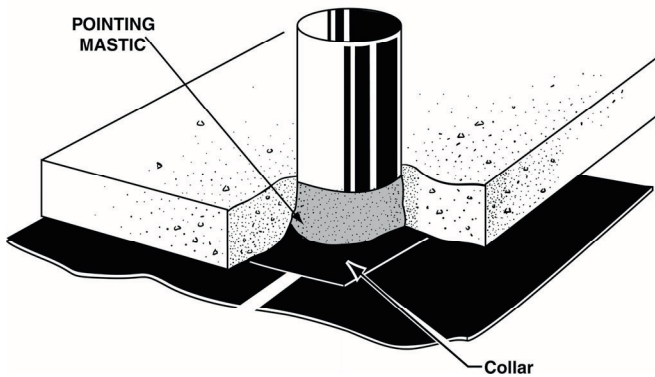
**MEL-PRIME™** ... Joints in concrete surfaces should be addressed with MEL-PRIME. MEL-PRIME is available in solvent-, water-based, and Northeast formulations. *Packaging:* 1 Gallon (3.79 L) Units, 5 Gallon (18.9 L) Pails

**POINTING MASTIC** ... Used for sealing top horizontal terminations or slab protrusions. *Packaging:* 5 gallon (18.93 L) pails or 29 oz. (857.65 ml) cartridges.

**PMPC TAPE** ... A sturdy, self-adhering, reinforced tape of polymeric membrane that requires no additional adhesive. Tape is also made using the exclusive core material giving it superior WVT properties. Provides a simple, easy, and economical method of effectively sealing horizontal and vertical butt joints. Each strip is nominally 6" (152.4 mm) wide and 50' (15.24 m) long. Has quick-strip release paper for ease of handling and application. *Packaging:* 6 rolls per carton.

| COVERAGE                           |                                 |                                  |
|------------------------------------|---------------------------------|----------------------------------|
| Adhesive                           | Joint Method                    | Per MSF of Membrane (Approx.)    |
| PMPC TAPE**                        | Butt-Joints/Overlap             | 416 linear ft. (126.8 m)         |
| POINTING MASTIC                    | Detail Strip, Edge Terminations | 2000 lineal ft./gal. (161.0 m/L) |
| **Water Vapor Perm Rating is .0011 |                                 |                                  |

**PROTRUSION DETAIL**

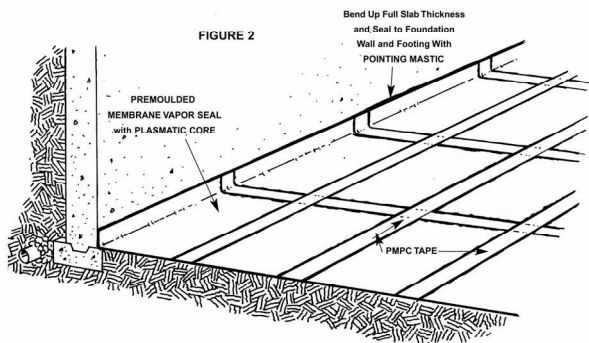


**PRECAUTIONS**

PMPC does not negate the need for relief of hydrostatic heads. A complete drain tile system should be placed on the exterior of the footing and, in severe cases, on the interior of the footing as well. If applied to concrete surfaces, repair any spalled areas, fill all voids and remove sharp protrusions.

Adhesive coverage ratios must be adjusted to compensate for surface irregularities and additional coats may be required to provide proper adhesion. For maximum concrete performance and durability, the floor slab concrete design should provide for the lowest possible slump and yet assure complete hydration of the concrete. Refer to Safety Data Sheet for complete health and safety information.

For CAD details, most recent data sheet, sustainability information, and SDS, visit [www.wrmeadows.com](http://www.wrmeadows.com).





**LIMITED WARRANTY**

W. R. MEADOWS, INC. warrants at the time and place we make shipment, our material will be of good quality and will conform with our published specifications in force on the date of acceptance of the order. Read complete warranty. Copy furnished upon request.

**Disclaimer**

The information contained herein is included for illustrative purposes only, and to the best of our knowledge, is accurate and reliable. W. R. MEADOWS, INC. cannot however under any circumstances make any guarantee of results or assume any obligation or liability in connection with the use of this information. As W. R. MEADOWS, INC. has no control over the use to which others may put its product, it is recommended that the products be tested to determine if suitable for specific application and/or our information is valid in a particular circumstance. Responsibility remains with the architect or engineer, contractor and owner for the design, application and proper installation of each product. Specifier and user shall determine the suitability of products for specific application and assume all responsibilities in connection therewith.